



VK 6.10 FL30 FL30 BSB STTZN (308 026)

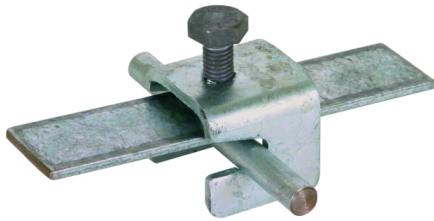
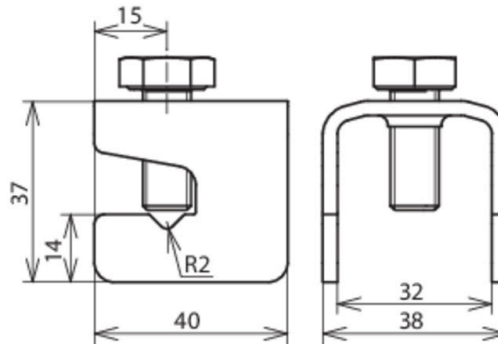


Figure without obligation



Arrangement:

Type	VK 6.10 FL30 FL30 BSB STTZN
Part No.	308 026
Material	St/tZn
Clamping range Rd / Fl	(+) 6-10 / 30 mm
Clamping range Fl / Fl	(+ / II) 30 / 30 mm
Screw	● M10 x 25 mm
Material of screw	St/tZn
Lightning current carrying capability (10/350 μs)	50 kA
Standard	EN 62561-1
Short-circuit current (a.c. 50 Hz / d.c.) (1 s; ≤ 300 °C)	13 kA
Weight	107 g
Customs tariff number (Comb. Nomenclature EU)	85359000
GTIN	4013364035874
PU	25 pc(s)

*) For exact assignment see test certificate.

We reserve the right to introduce changes in performance, configuration and technology, dimensions, weights and materials in the course of technical progress. The figures are shown without obligation.